



Utopia[®] Series.

QUICKSTART GUIDE



Getting Started with Your Caldera® Spa.

Congratulations on becoming an owner of a new Utopia® Series spa and welcome to the family! We can't wait for you to experience the wellness transformation that comes from a daily soak in your new hot tub.

This Quick Start Guide is intended to help you set up your hot tub quickly and easily. Use the camera on your smartphone to scan the QR code below or visit calderaspas.com to find a digital copy of:

- Your full owner's manual, including the safety and electrical guides
- The FreshWater® IQ System manuals



Follow this 9-step process to get your hot tub set up and ready to use.

HERE'S WHAT YOU'LL NEED

INCLUDED

- FreshWater Salt Cartridge
- FreshWater Salt Owner's Manual
- FreshWater Smart Monitoring Start-Up Kit

REQUIRED

- FreshWater 5-Way Test Strips
- FreshWater Salt Test Strips
- FreshWater Phosphate Test Strips
- FreshWater Spa Salt
- FreshWater Concentrated Chlorinating Granules
- FreshWater pH/Alkalinity Up
- FreshWater pH/Alkalinity Down
- Garden hose

RECOMMENDED

- FreshWater Clean Screen® Pre-Filter
- FreshWater Mineral Spa Sanitizer (*Not compatible with the FreshWater Smart Monitoring System*)
- FreshWater Vanishing Act® pillow or Vanishing Act XL



Follow These 9 Simple Steps.

1 ⚡ SAFELY CONNECT YOUR SPA

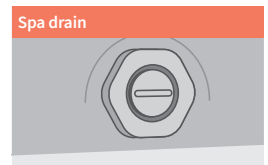
If you haven't already, hire or consult an electrician to safely connect your spa. Your local dealer can suggest local vendors or help with the installation.

2 🧪 TEST YOUR FILL WATER

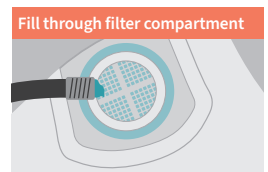
- Before filling your spa, take a sample of the water you will use to fill your spa to your local dealer for testing to determine if the water contains high levels of metals, phosphates, and/or calcium.
- Your local dealer can suggest an appropriate water treatment program for your specific fill water.

3 💧 FILL YOUR SPA

- Close the spa's drain, located in the bottom front of the spa.
- Flush out your garden hose before you begin filling your spa.



- Fill your spa through the filter compartment, preferably using the FreshWater Clean Screen Pre-Filter and/or On The Go hose attachment, until the water level is one inch (2.5 cm) above the highest jet.

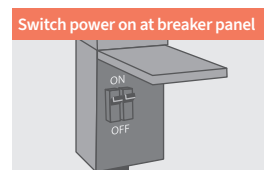


- Replace the filter compartment cover.

CAUTION: Filling the spa through the basin can result in an airlock and difficulty starting the spa.

4 ⏻ POWER ON YOUR SPA

- After the spa has been filled with water, turn on the power.
- Open the door of the electrical subpanel and switch on the GFCI breakers.
- Close and secure the subpanel door.



5 SET THE WATER TEMPERATURE

- A. Use the spa's control panel to set the temperature to your desired level, which should be at least 95°F (35°C). We recommend temperatures between 100°F (38°C) and 104°F (40°C).
- B. Place the cover on the spa and allow the water to heat up for approximately 24 hours.



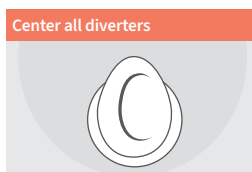
6 SET UP YOUR WATERCARE SYSTEM

- A. Follow the FreshWater Salt System start-up process using either the FreshWater Start-Up Guide or the FreshWater Owner's Manual.
NOTE: The FreshWater Smart Monitoring System will only work when the FreshWater Salt System is installed and operational.
- B. Or follow the directions provided by your dealer for your chosen water care system.

7 TEST THE JETS

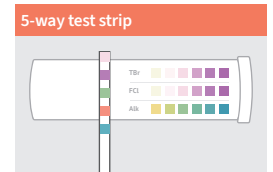
Check the operation of the jet system and purge any remaining air from the heating system by completing the following steps:

- A. Make sure all diverters are set in the middle.
- B. Use the control panel to turn on all jet pumps, as explained in the "Using the Control Panel" section of this guide.
- C. Confirm each jet is working properly by checking both low and high speed (if applicable). Properly working jets are indicated by strong, non-surgingly water flow. If jets are surging, turn them off, wait five seconds, and turn them back on.
- D. Cycle through all diverter valves to ensure all systems are flushed with water.
- E. Turn off all jets.



8 BALANCE YOUR WATER

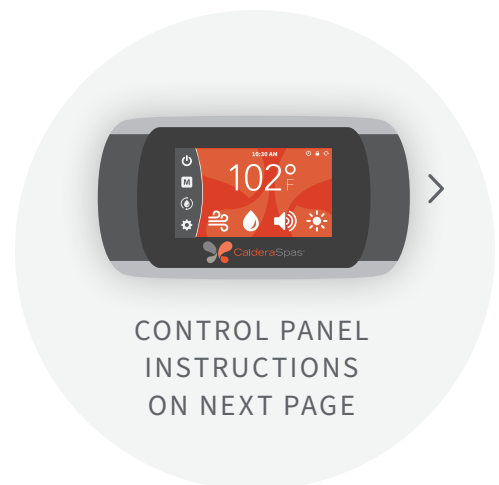
- A. Dip a FreshWater® 5-Way Test Strip into the water for two seconds, remove and shake once, then compare the strip to the scale on the side of the test strip bottle to test the pH, alkalinity, calcium, and chlorine levels.
- B. Adjust the levels as needed to bring your water within the target levels. Refer to your spa's owner's manual or the FreshWater Salt System owner's manual for more detailed information on how to balance your water.
- C. Target levels
 - Total alkalinity (TA) 40–120 ppm
 - pH between 7.2–7.8
 - Calcium hardness
 - 25–75 ppm for salt spas
 - 75–150 ppm for non-salt spas
 - Free chlorine 1–5 ppm



9 SHOCK & SANITIZE YOUR WATER

- A. Shock and clean your water to achieve an initial 5 ppm chlorine reading using FreshWater Chlorinating Granules (dichlor). If using a liquid chlorine, do not use a scented or non-splash product.
- B. Ranges will be dependent on your chosen water care option and/or country. For more specifics on water sanitization, contact your dealer or review the FreshWater Salt System start-up guide, owner's manual, or the instructions included with your water care system.

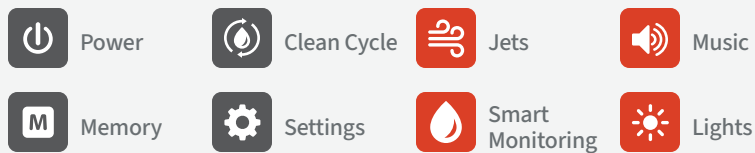
Now You're Ready for Your First Soak!



CONTROL PANEL
INSTRUCTIONS
ON NEXT PAGE

Using the Control Panel.

Touch anywhere on the screen to turn on the control panel.



SETTING THE TEMPERATURE

- Press the temperature icon **102°**, shown on the home screen to display the set temperature screen.
- Press the up-arrow icon **▲** to raise the set temperature of the spa. Press and hold to raise the temperature continuously.
- Press the down-arrow icon **▼** to lower the set temperature of the spa. Press and hold to lower the temperature continuously.

OPERATING THE JETS

- After pressing the Jets button **☰**, press the power button **⏻** to turn all jet pumps off (if they are on) or all jet pumps to high speed (if they are off).
- Press the single jet icon button **☰** to turn the jet pump on low speed.
- Press the double jet icon button **☰☰** to turn the jet pump on high speed.
- Press the off button **⏻** to turn the jet pump off.

USING THE LIGHTING

- After pressing the Lights button **☀**, press the power button **⏻** to turn all lights on or off. All lights will be blue when turned on.
- Press the left or right arrow **◀▶** to decrease or increase the brightness setting for all lights that are currently on.
- Press any of the color boxes **●●●** to turn that color on in all light zones.
- Press the multicolored box **●●●** to turn the color wheel on in all light zones. Press the color wheel a second time to stop at the desired color.
- Press the right-facing arrow **➡** to advance to the secondary lights screen for additional lighting options.

For all other functions, please refer to your owner's manual.

Maintenance Tips.

PROTECT YOUR INVESTMENT FOR YEARS TO COME WITH THESE IMPORTANT TIPS.

CARE FOR YOUR SPA SHELL AND COVER

- A soft rag should easily remove most dirt from your spa's shell. Most household chemicals are harmful to the shell, especially Windex or anything with citrus.
- Do not allow any items, including children or pets to sit on the cover.
- Regularly clean and condition your spa cover:
 - After rinsing, a very mild soap solution can be used: four tablespoons of dishwashing liquid with one gallon (4 liters) of water.
 - Use water only on the underside of the cover.

WARNING! Protect Your Spa Against Sun Damage

- Be aware of reflections from double-paned windows shining on the spa. These reflections can cause severe damage including warped panels, a melted cover core, and potentially even fire.
- Direct sunlight on an empty spa can cause the shell to blister. This can happen very quickly, especially with darker shell colors. Always keep the spa cover on when not in use.



WARNING! Filling Your Spa With Cold Water

- If the water used to fill your spa is below 50° F (10° C), the spa may go into High Limit Protection Mode and stop functioning. If the issue does occur, refer to your Owner's Manual or contact your local dealer.
- You may also resolve the issue by blending warm water into your cold fill water to raise the temperature above 50° F (10° C) during the refilling process.

Important Safety Instructions.

READ ALL OF THIS
INFORMATION BEFORE
USING YOUR SPA



SAFETY INFORMATION

(READ AND FOLLOW ALL INSTRUCTIONS)

AVOIDING THE RISK TO CHILDREN

DANGER - RISK OF CHILD DROWNING

Extreme caution must be exercised to prevent unauthorized access by children. To avoid accidents, ensure that children cannot use a spa unless they are supervised at all times.

WARNING

To reduce the risk of injury, do not permit children to use this spa unless they are closely supervised at all times.

- To reduce the risk of injury, lower water temperatures are recommended for young children. Children are especially sensitive to hot water.
- Extreme caution must be exercised to prevent unauthorized access by children. To avoid accidents, ensure that children cannot use a spa unless they are supervised at all times.

DO:

- Make sure you always lock the child resistant locks after using the spa for your children's safety. Every **CALDERA** spa is equipped with a locking cover that meets the ASTM F1346-91 Standard for Safety Covers.
- Test the water temperature with your hand before allowing children to enter the spa to be sure that it's comfortable. Children are especially sensitive to hot water.
- Remind children that wet surfaces can be very slippery. Make sure that children are careful when entering or exiting the spa.

DON'T:

- Allow children to climb onto the spa cover.
- Allow children to have unsupervised access to the spa.

AVOIDING THE RISK OF ELECTROCUTION

DANGER - RISK OF ELECTROCUTION

- Connect only to a grounded source.
- Do not bury the power cord. A buried power cord may result in death, or serious personal injury due to electrocution if direct burial-type cable is not used, or if improper digging occurs.
- A ground terminal (pressure wire connector) is provided on the control box inside the unit to permit connection of a minimum No. 8 AWG solid copper bonding conductor between this point and any metal equipment, metal water pipe, metal enclosures of electrical equipment, or conduit within 5 feet (1.5 m) of the unit as needed to comply with local requirements.
- Do not operate the audio main controls while inside the spa (if spa is equipped with an audio component).
- Do not connect any auxiliary components (for example, cable additional speakers, headphones, additional audio components) to the

audio system unless approved by Watkins Wellness .

- Do not self service audio component by opening spa door as this may expose dangerous voltage or other risk of injury. Refer all servicing to qualified service personnel.
- Do not attach an external antennae to a spa audio system unless installed by a licensed electrician in accordance with Article 810 of the National Electric Code, ANSI/NFPA 70.

WARNING

- To reduce the risk of electrical shock, replace a damaged cord immediately. Failure to do so may result in death or serious personal injury due to electrocution.
- Your spa is provided with a Ground Fault Circuit Interrupter (GFCI) for user and equipment protection. To ensure proper operation of this important safety device, test according to the following instructions per electrical configuration.
- **Cord-Connected 115 volt, 20 amp models:** The GFCI is located at the end of the power cord. Before each use, with the unit operating, push the TEST button. The unit should stop operating and the GFCI power indicator will go out. Wait 30 seconds and then reset the GFCI by pushing the RESET button. The GFCI power indicator will turn on, restoring power to the spa. If the interrupter does not perform in this manner, there may be an electrical malfunction and with it, the possibility of an electric shock. Disconnect the power until the problem has been corrected.

• **230 volt permanently installed or converted models:**

- A ground terminal is provided on the terminal block (TB-1, system ground terminal) located inside the control box. To reduce the risk of electric shock, connect this terminal to the grounding terminal of your electrical service or supply panel with a continuous green, insulated copper wire. The wire must be equivalent in size to the circuit conductors supplying the equipment. In addition, a bonding terminal (pressure wire connector) is provided on the outside of the control box for bonding to local ground points. To reduce the risk of electric shock, this connector should be bonded with a No. 8 AWG solid copper wire to any metal ladders, water pipes, or other metal within 5 feet (1.5 m) of the spa to comply with local requirements. The means of disconnection must be readily accessible, but must be installed at least 5 feet (1.5 m) from the spa.
- Your spa is provided with a suitably rated circuit breaker to open all ungrounded supply conductors.
- Your spa uses ground fault circuit interrupters in the electrical subpanel. Before each use of the spa and with the unit operating, push the TEST button on each breaker. The switch should click over to the "Trip" position. Wait 30 seconds and reset each GFCI breaker by switching it completely off and then completely on. The switch should then stay on. If either of the interrupters does not perform in this manner, it is an indication of an electrical malfunction and the possibility of an electric shock. Disconnect the power until the fault has been identified and corrected.

IMPORTANT: Failure to wait 30 seconds before resetting the GFCI may cause the spa's Power Indicator (on the control panel) to blink. If this occurs, repeat the GFCI test procedure.

DANGER - RISK OF ELECTRICAL SHOCK

- Install at least 5 feet (1.5 m) from all metal surfaces. A spa may be installed within 5 feet (1.5 m) of a metal surface if each metal surface is permanently connected by a minimum No. 8 AWG solid copper conductor attached to the wire ground connector on the terminal box that is provided for this purpose if in accordance with National Electrical Code ANSI/NMFA70-1993.
- Do not permit any electrical appliances, such as a light, telephone, radio, or television within 5 feet (1.5 m) of a spa. Failure to maintain a safe distance may result in death, or serious personal injury due to electrocution, if the appliance should fall into the spa.
- Install your spa in such a way that drainage is away from the electrical compartment and from all electrical components.

DO:

- Be sure your spa is connected to the power supply correctly - use a licensed electrical contractor.
- Disconnect the spa from the power supply before draining the spa or servicing the electrical components.
- Test the Ground Fault Circuit Interrupter before each use.
- Replace audio components only with identical components (if your spa is equipped with an audio component).

DON'T:

- Use the spa with the equipment compartment door removed.
- Place electrical appliances within 5 feet (1.5m) of the spa.
- Use an extension cord to connect the spa to its power source. The cord may not be properly grounded and the connection is a shock hazard. An extension cord may cause a voltage drop, which will cause overheating of the jet pump motor and motor damage.
- Attempt to open the electrical control box. There are no user serviceable parts inside.

RISKS TO AVOID

DANGER - RISK OF INJURY

- To reduce the risk of injury to persons, DO NOT remove suction fittings (filter standpipes) located in the filter compartment.
- The suction fittings in the spa are sized to match the specific water flow created by the pump. Never replace a suction fitting with one rated less than the flow rate marked on the original suction fitting.
- There is a danger of slipping and falling. Remember that wet surfaces can be very slippery. Take care when entering or exiting the spa.
- Never operate spa if the suction fittings are broken or missing.
- People with infectious diseases should not use the spa.
- Keep any loose articles of clothing, long hair, or hanging jewelry away from rotating jets or other moving components.

INCREASED SIDE EFFECTS OF MEDICATION

- The use of drugs, alcohol may cause unconsciousness with the possibility of drowning.
- Persons using medications should consult a physician before using a spa; some medication may cause a user to become drowsy, while other medication may affect heart rate, blood pressure, and circulation.

- Persons taking medications which induce drowsiness, such as tranquilizers, antihistamines, or anticoagulants should not use the spa.

HEALTH PROBLEMS AFFECTED BY SPA USE

- Pregnant women should consult a physician before using spa.
- Persons suffering from obesity, or with a medical history of heart disease, low or high blood pressure, circulatory system problems, or diabetes should consult a physician before using spa.

UNCLEAN WATER

- Keep the water clean and sanitized with correct chemical care. Maintain the recommended levels for your **CALDERA** spa.
- Refer to Water Quality and Maintenance section for complete instructions.

IMPORTANT: Turn on the jet pump for a least ten minutes after adding ANY spa water chemicals into the filter compartment.

Clean the filter cartridges monthly to remove debris and mineral buildup which may affect the performance of the hydromassage jets, limit the flow, or trip the high limit thermostat, which will turn off the entire spa.

AVOIDING THE RISK OF HYPERTHERMIA

Prolonged immersion in hot water can result in HYPERTHERMIA, a dangerous condition which occurs when the internal temperature of the body reaches a level above normal 98.6°F (37°C). The symptoms of hyperthermia include unawareness of impending hazard, failure to perceive heat, failure to recognize the need to exit the spa, physical inability to exit the spa, fetal damage in pregnant women, and unconsciousness resulting in a danger of drowning.

WARNING

The use of alcohol, drugs, or medication can greatly increase the risk of fatal hyperthermia in hot tubs and spas.

TO REDUCE THE RISK OF INJURY

- The water in the spa should never exceed 104°F (40°C). Water temperatures between 100°F and 104°F (36°C and 40°C) are considered safe for a healthy adult. Lower water temperatures are recommended for extended use (exceeding ten minutes) and for young children. Extended use can cause hyperthermia.
- Pregnant or possibly pregnant women should limit spa water temperatures to 100°F (36°C). Failure to do so may result in permanent injury to your baby.
- Do not use spa immediately following strenuous exercise.

AVOIDING THE RISK OF SKIN BURNS

- To reduce the risk of injury, before entering a spa the user should measure the water temperature with an accurate thermometer.
- Test the water with your hand before entering the spa to be sure it's comfortable.

SAFETY SIGN

Each **CALDERA** spa is shipped with a SAFETY SIGN in the owner's package. The sign, which is required as a condition of Product Listing, should be permanently installed where it is visible to the users of the spa. To obtain additional SAFETY SIGNS, contact your **CALDERA** dealer and request Part #70798.

IMPORTANT SPA INSTRUCTIONS

The following contains important spa information, and we strongly encourage you to read and apply them.

DO:

- Use and lock the vinyl cover when the spa is not in use, whether it is empty or full.
- Follow the Spa Care and Maintenance recommendations stated in this manual.
- Use only approved accessories and recommended spa chemicals and cleaners.

DON'T

- Leave the **CALDERA** spa exposed to the sun without water or the cover in place. Exposure to direct sunlight can cause solar distress of the shell material.
- Roll or slide the spa on its side. This will damage the siding.
- Lift or drag the vinyl cover by using the cover lock straps; always lift or carry the cover by using the handles.
- Attempt to open the electrical control box. There are no user serviceable parts inside. Opening of the control box by the spa owner will void the warranty. If you have an operational problem, carefully go through the steps outlined in the Troubleshooting section. If you are not able to resolve the problem, contact your authorized **CALDERA** dealer. Many problems can easily be diagnosed over the telephone by an Authorized Service Technician.

SPA SHELL

Your **CALDERA** spa has an acrylic shell. Stains and dirt generally will not adhere to your spa's surface. A soft rag should easily remove most dirt. Most household chemicals are harmful to your spa's shell (see below for detailed information on cleaning agents). Always rinse off any spa shell cleaning agent with fresh water.

IMPORTANT:

1. The following products are the **ONLY** approved cleaning agents for your **CALDERA** spa shell: plain water, **CALDERA**® Spa Shine, Brillianize® or Soft Scrub®. The use of alcohol or any other household cleaner other than those listed to clean the spa shell surface is **NOT** recommended. **DO NOT** use any cleaning products containing abrasives or solvents since they may damage the shell surface, specifically: Simple Green®, Windex® or Spa Mitt. **NEVER USE HARSH CHEMICALS!** Damage to the shell by use of harsh chemicals is not covered under the warranty. Always rinse off any spa shell cleaning agent with fresh water.
2. Iron and copper in the water can stain the spa shell if allowed to go unchecked. Ask your **CALDERA** dealer about a Stain and Scale Inhibitor to use if your spa has a high concentration of dissolved minerals. (Watkins recommends Stain & Scale Defense.)
3. Keep all cleaners out of the reach of children and use care when applying.

SAVE THESE INSTRUCTIONS

Electrical Requirements.



ELECTRICAL REQUIREMENTS

IMPORTANT: Fill the spa with water before turning on the power.

Your **CALDERA** spa has been carefully designed to give you maximum safety against electrical shock. Connecting the spa to an improperly wired circuit will negate many of the spa's safety features. Improper wiring may also cause electrocution, risk of fire, and other risks of injuries. Please read and follow the electrical installation requirements and instructions for your specific spa model completely!

All **CALDERA** spa models, are equipped with a power indicator (**CALDERA** Logo orange light) which, in addition to showing the spa has power to it, has a diagnostic function as well. It will begin blinking if the heater high-limit thermostat has tripped. If the power indicator light is blinking, follow the instructions in the Troubleshooting section to identify and correct the cause. The power indicator will stop blinking once the problem has been corrected. The Power and Ready indicator lights on the control panel also provide the same diagnostic function.

230 VOLT PERMANENTLY CONNECTED

CALDERA spas must be wired in accordance with all applicable local electrical codes. All electrical work should be done by an experienced, licensed electrician. We recommend the use of appropriate electrical conduit, fittings, and wire for all circuits.

The diagram on the following pages illustrates how to wire the spa models:

- An electrical subpanel containing two GFCI breakers is included with each 230 volt spa. We recommend that this subpanel be used to supply power to the spa.
- The subpanel requires a 50 amp, single phase, 230 volt, four wire service (two line, one neutral, one ground).

The grounding conductor must not be less than #10 AWG. Refer to local codes and to NEC 250-122 (table).

NOTE: The **CANTABRIA** will require an additional 20 amp breaker in order to operate the heater and the Lounge seat (jet pump 3) at the same time. Without the additional 20 amp breaker, the heater will NOT operate while the jets in the lounge (jet pump 3) are on.

- Mount the subpanel in the vicinity of the spa, but not closer than 5 feet (1.5 m) away, in accordance with all local codes. (N.E.C. 680-38 to 41-A-3)
- Open spa using Door Panel Removal instructions (page 35).
- Insert power wires into spa from either side towards the bottom front, you will find a plastic cap attached to spa.
- Once your spa has been filled with water, turn it on and test all of the circuit breakers.

IMPORTANT: If both breakers immediately trip, verify that the wires are correctly connected. Each breaker should be tested prior to each use. Here's how:

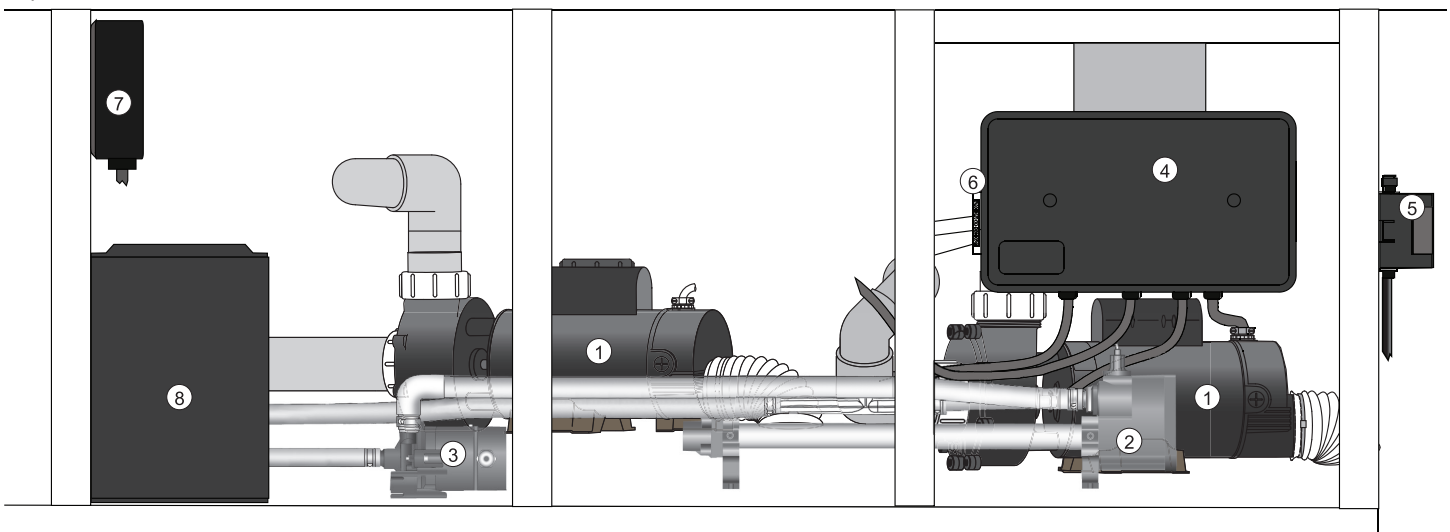
1. Push the "TEST" button on each GFCI breaker, and observe it click OFF.
2. Wait 30 seconds, then push the breaker switch to the OFF (down) position (to ensure that it has completely disengaged), then push the breaker switch to the ON (up) position. If you don't wait 30 seconds, the spa's power indicator may continue to blink – try again.

If any of the GFCI breakers fails to operate in this manner, your spa may have an electrical malfunction, and you may be at risk of electrical shock. Turn off all circuits and do not use the spa until the problem has been corrected by an authorized service agent.

⚠ WARNING: Removing, or bypassing any GFCI breaker will result in an unsafe spa and will void the spa's warranty.

EQUIPMENT COMPARTMENT

The illustration below is to be used as a reference only (your spa may look different). The equipment compartment is located behind the front panel of the spa below the Main Control Panel.



Jet pump*
EnergyPro® heater
ENERGY PRO Circulation Pump
Advent® Control Box

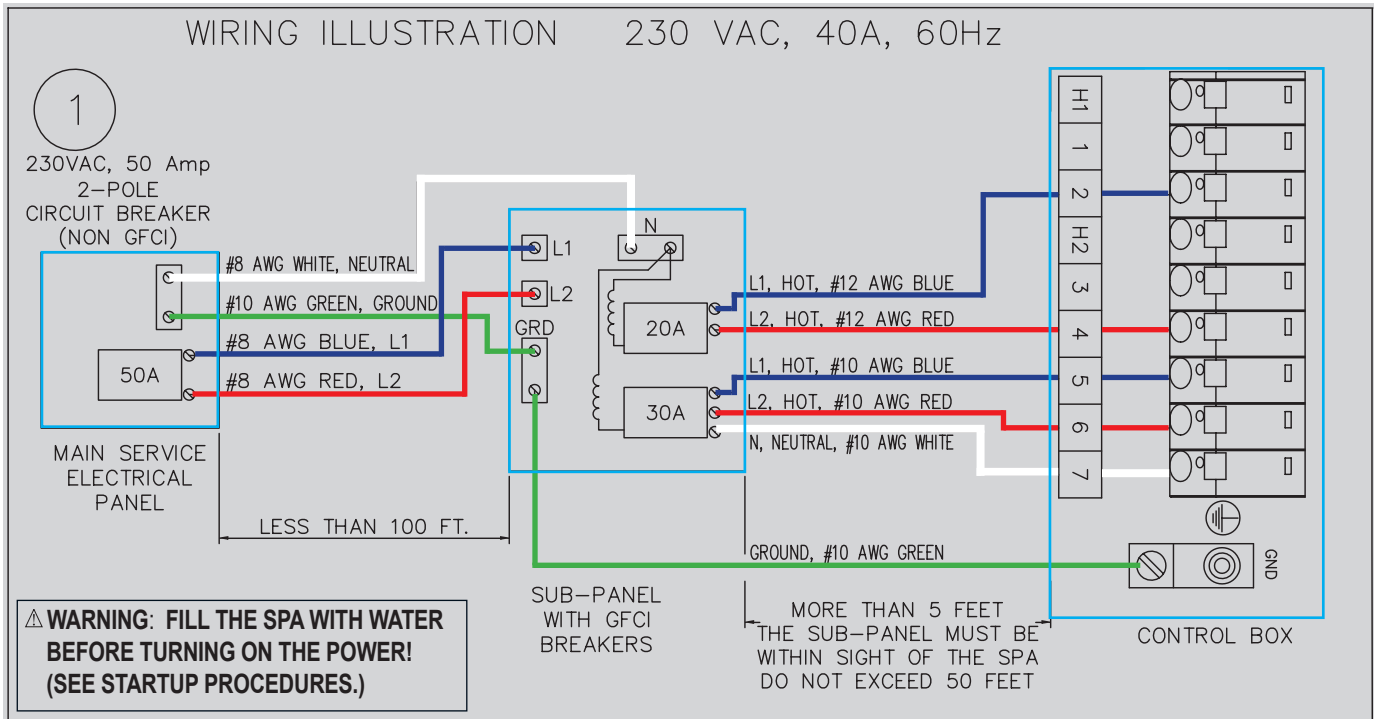
Ozone Generator (optional)
Bonding terminal
Bluetooth Music (optional)
Subwoofer (optional)

* There are 3 jet pumps located in the Cantabria equipment compartment, only 2 are shown in illustration above.

IMPORTANT: If you ever need to move or relocate your **CALDERA** spa, it is essential that you understand and apply these installation requirements. Your **CALDERA** spa has been carefully engineered to provide maximum safety against electric shock. Remember, connecting the spa to an improperly wired circuit will negate many of its safety features.

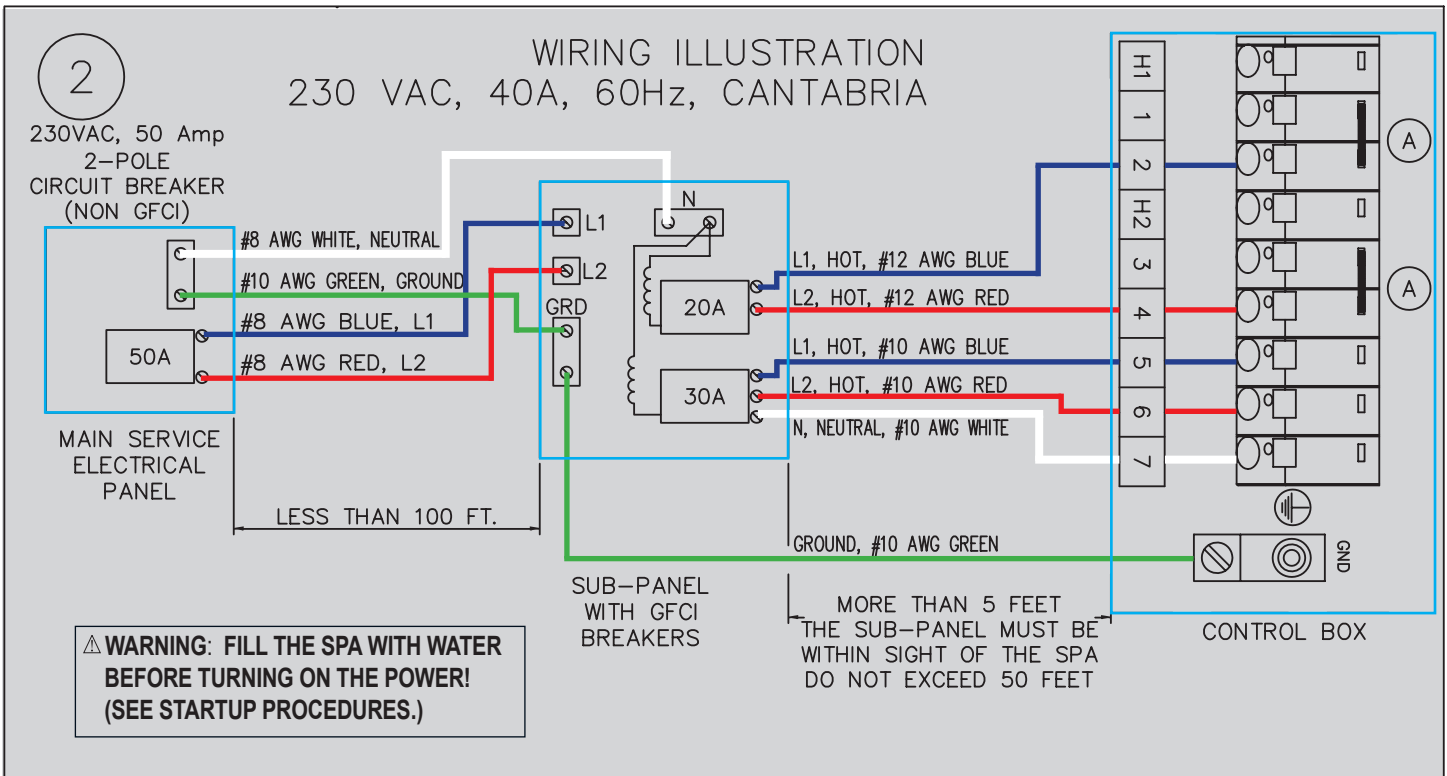
NOTE: Long wiring runs may require larger-gauge wire than stated.

ALL MODELS (EXCEPT CANTABRIA SEE BELOW)

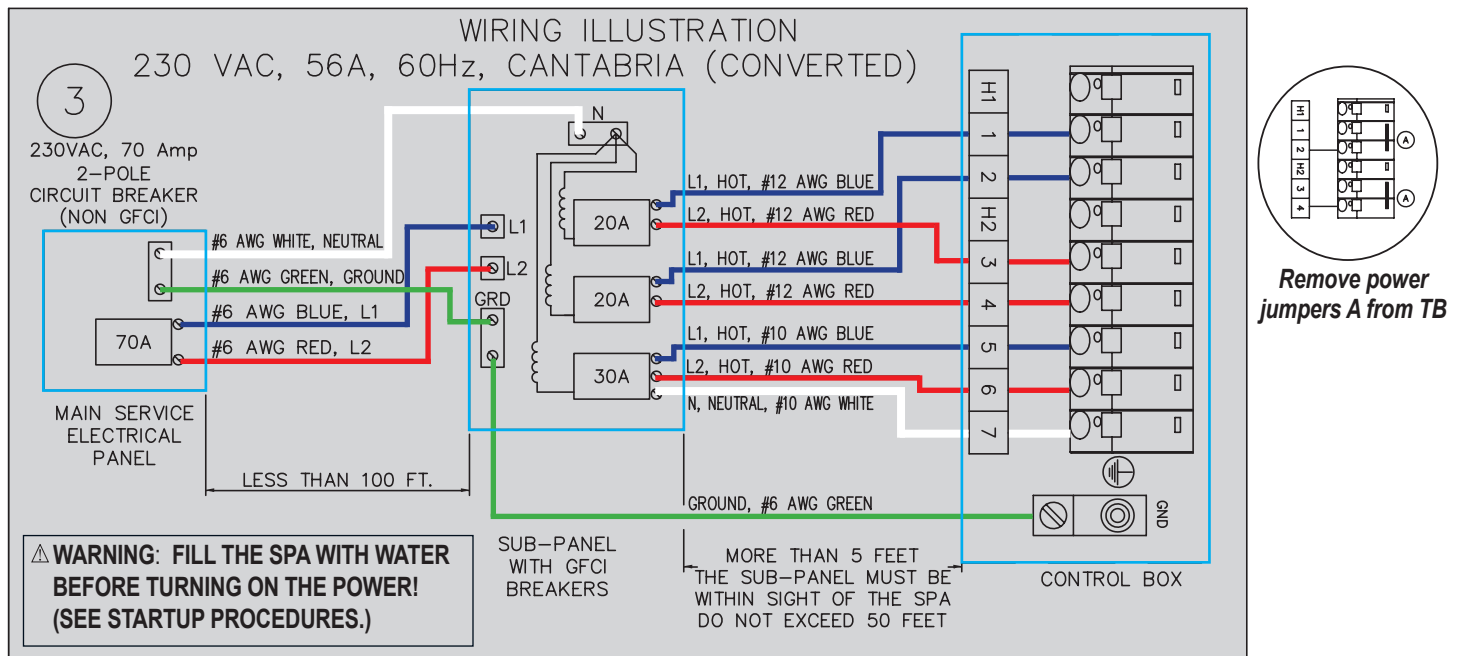


⚠ WARNING: Removing or bypassing any GFCI breaker will result in an unsafe spa and will void the spa's warranty.

CANTABRIA - STANDARD



CANTABRIA - CONVERTED TO 70 AMP



CAUTIONS

USE COPPER CONDUCTORS ONLY
USE SUPPLY WIRES SUITABLE FOR 75°C/167°F.
DISCONNECT ALL SUPPLY CONNECTIONS BEFORE SERVICING.
CONNECT ONLY TO A CIRCUIT PROTECTED BY A CLASS A GROUND-FAULT INTERRUPTER.

THESE SPAS ARE INTENDED FOR USE WITH GFCI SUBPANEL PROVIDED.
ALL CANADIAN SPA MODELS USE #8 AWG GREEN, GROUND.
INCORRECT WIRING WILL DAMAGE CIRCUIT BOARDS.
REFER TO THE WIRING INSTRUCTIONS INCLUDED WITH THE SUB-PANEL FOR DETAILED WIRING INSTRUCTIONS.

